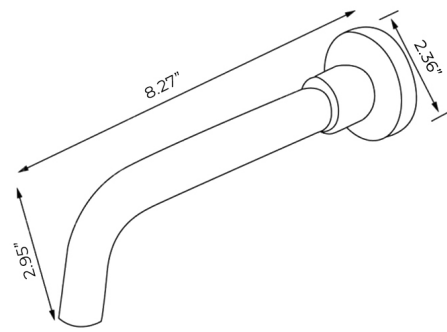


FONTANA GOLD WALL MOUNT COMMERCIAL AUTOMATIC SENSOR FAUCET SPECS



SPECS:

Power: DC:6V(4AA alkaline battery)

AC:220V-240V; 50/60HZ

Type: Wall Mount

Detection Zone: 16-32 cm or adjustable

Motor valve lifespan: up to 500000 ☒ shes

Battery lifespan: 100000 cycles

Static Power Consumption: 0.36mw

Working Power consumption: 0.5mw

Response time: 0.3second

Shut-off delay time: 60 seconds

Water Pressure: 0.5 - 7.0 KGS/cm,
1-100 psi.

Flow Rate: 1.5 GPM

Shutt-off delay time: 60 seconds

Response time: 0.3second

